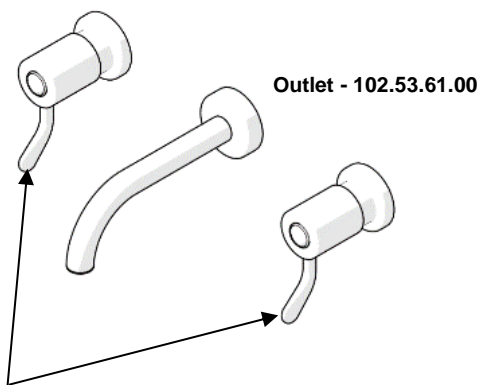


Product Installation Guidelines

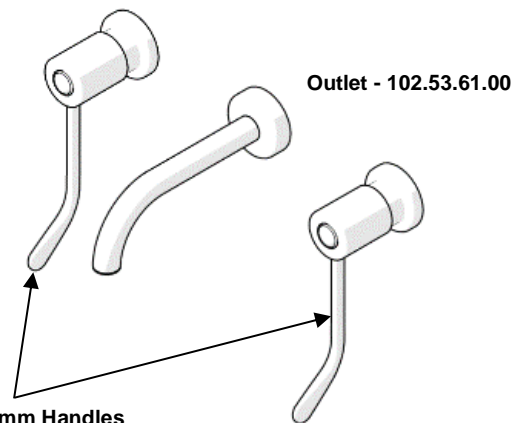
CliniLever® CP-BS Lead Safe Hospital Wall Bath Set Taps w/ 180 Outlet Laminar

PRODUCT CODES:

- 102.63.21.03
- 102.63.11.03
- 102.63.22.03
- 102.63.12.03



- 80mm Handles**
 102.60.12.01 – Jumper Valve – Cold
 102.60.12.02 – Jumper Valve – Hot
 102.60.22.01 – Ceramic Disc – Cold
 102.60.22.02 – Ceramic Disc – Hot



- 150mm Handles**
 102.60.11.01 – Jumper Valve – Cold
 102.60.11.02 – Jumper Valve – Hot
 102.60.21.01 – Ceramic Disc – Cold
 102.60.21.02 – Ceramic Disc – Hot

For Watermark and/or WELS information of KITS, refer to each individually certified component.

Item Code:	Description	Watermark	WELS
102.63.21.03	CliniLever® CP-BS Lead Safe™ Hospital Wall Bath Set 150 C/D w/180 Outlet Laminar	*	*
Components:			
102.53.61.00	CliniLever® CP-BS Lead Safe™ Hospital Wall Fixed Outlet 180 Reach	YES	YES
102.60.21.01	CliniLever® CP-BS Lead Safe™ Hospital Wall Top Assembly 150 C/D Cold	YES	N/A
102.60.21.02	CliniLever® CP-BS Lead Safe™ Hospital Wall Top Assembly 150 C/D Hot	YES	N/A
Item Code:	Description	Watermark	WELS
102.63.11.03	CliniLever® CP-BS Lead Safe™ Hospital Wall Bath Set 150 J/V w/ 180 Outlet Laminar	*	*
Components:			
102.53.61.00	CliniLever® CP-BS Lead Safe™ Hospital Wall Fixed Outlet 180 Reach	YES	YES
102.60.11.01	CliniLever® CP-BS Lead Safe™ Hospital Wall Top Assembly 150 J/V Cold	YES	N/A
102.60.11.02	CliniLever® CP-BS Lead Safe™ Hospital Wall Top Assembly 150 J/V Hot	YES	N/A

Item Code:	Description	Watermark	WELS
102.63.22.03	CliniLever® CP-BS Lead Safe™ Hospital Wall Bath Set 80 C/D w/ 180 Outlet Laminar	*	*
Components:			
102.53.61.00	CliniLever® CP-BS Lead Safe™ Hospital Wall Fixed Outlet 180 Reach	YES	YES
102.60.22.01	CliniLever® CP-BS Lead Safe™ Hospital Wall Top Assembly 80 C/D Cold	YES	N/A
102.60.22.02	CliniLever® CP-BS Lead Safe™ Hospital Wall Top Assembly 80 C/D Hot	YES	N/A
Item Code:	Description	Watermark	WELS
102.63.12.03	CliniLever® CP-BS Lead Safe™ Hospital Wall Bath Set 80 J/V w/ 180 Outlet Laminar	*	*
Components:			
102.53.61.00	CliniLever® CP-BS Lead Safe™ Hospital Wall Fixed Outlet 180 Reach	YES	YES
102.60.12.01	CliniLever® CP-BS Lead Safe™ Hospital Wall Top Assembly 80 J/V Cold	YES	N/A
102.60.12.02	CliniLever® CP-BS Lead Safe™ Hospital Wall Top Assembly 80 J/V Hot	YES	N/A
Notes:			
<ol style="list-style-type: none"> 1. N/A—Not applicable. 2. * — The item is a KIT. 3. A copy of each component's Installation Instructions can either be downloaded from www.galvinengineering.com.au or found inside the packaging. 4. Kit components may be purchased separately. 			

TROUBLESHOOTING		
PROBLEM	CAUSE	RECTIFICATION
Taps are dripping water	Jumper valves are worn or damaged	Replace jumper valve
	Ceramic discs are worn or damaged	Remove and inspect SBA. Remove debris and/or replace SBA if damaged.
	Tap seat is damaged	Refurbish tap seat using a reseating tool.
Water is leaking from spindle	O-ring on jumper valve spindle is damaged or worn	Replace O-ring
Water is not flowing from tap	Water is turned off	Turn water on
	Aerator or flow regulator is blocked by debris	Remove aerator and/or flow regulator from tap and remove debris. Install an in-line strainer.
	Obstruction on spout	Check if there are obstructions hindering the water flow in the spout and take it out.
Spindle is difficult to turn (jumper valve)	Build up of scale on spindle, spindle worn or O-ring has been damaged	Remove jumper valve, clean and regrease. Replace O-ring. Complete SBA may need to be replaced.
Handle is loose	Screw has come loose	Tighten handle screw
Flange does not screw down onto basin/sink surface	Tap bodies are set too far out	Re-position tap bodies and breach piece

WARRANTY

Galvin Engineering products are covered under our Manufacturer's Warranty. Galvin Engineering products must be installed in accordance with the installation instructions and in accordance with AS 3500 and NCC Volume Three, relevant Australian Standards and local authorities applicable to product being installed. Water and electrical supply conditions must also comply to the applicable national and/or state standards, failing to comply with these provisions may void the product warranty and affect performance of the product.

Please visit www.galvinengineering.com.au to view the full warranty, our Installation Compliance and Maintenance & Cleaning information as well as any other additional information.

